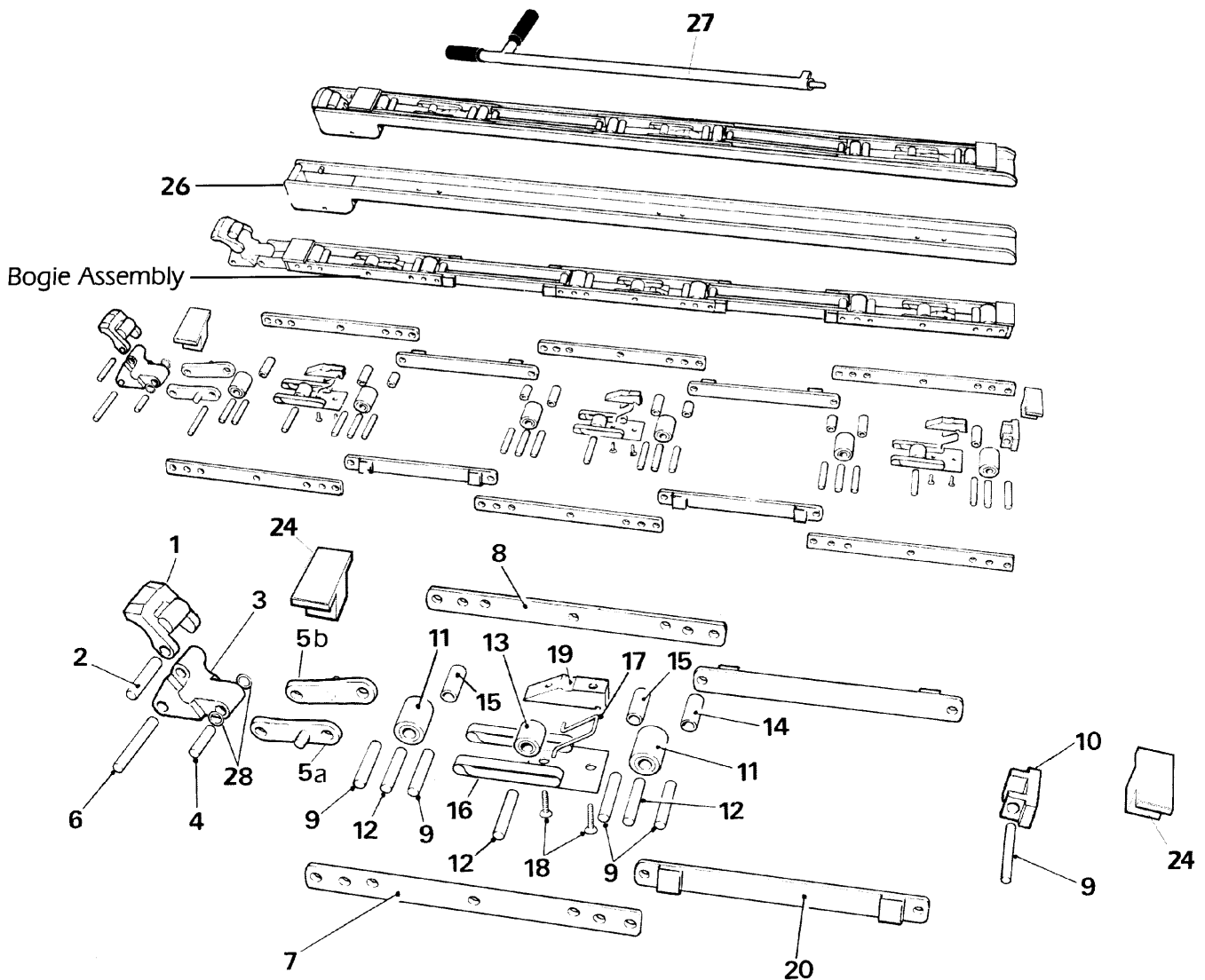


# Joloda

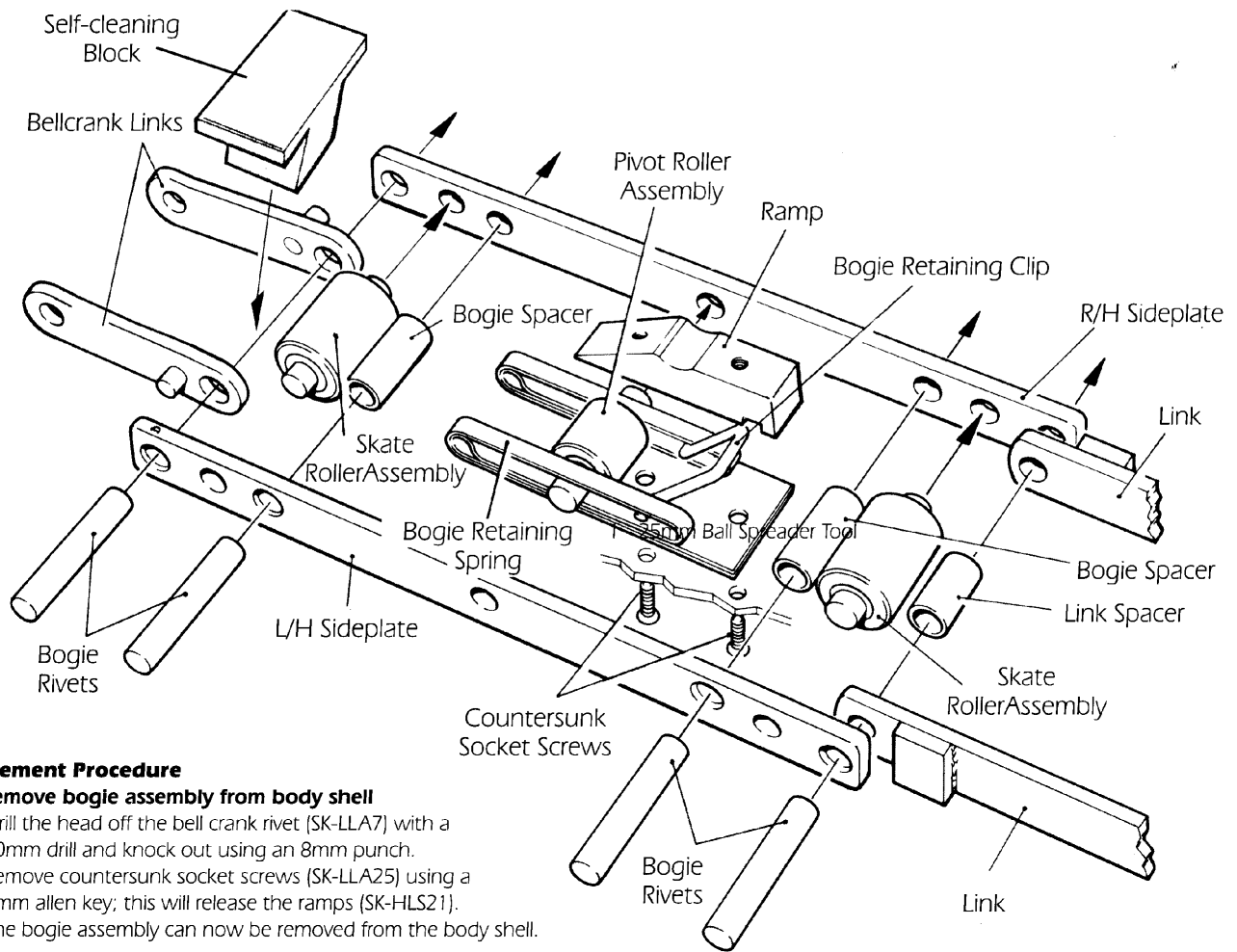
## Standard High Lift Skate: Diagram and Parts List

Model  
2000kg SWL  
Per Pair



ITEM	PART NO.	DESCRIPTION	QTY	ITEM	PART NO.	DESCRIPTION	QTY
1	SK-LLA1SL	Straight Link Flap	1	16	SK-HLS18	Bogie Retaining Spring	3
2	SK-LLA2/A	Flap Pin	1	17	SK-HLS19	Bogie Retaining Clip	3
3	SK-LLA3SL	Straight Link Bell Crank	1	10	SK-LLA23	End Stop	1
4	SK-LLA4SL	Straight Link Bell Crank Rivet	1	18	SK-LLA25	Counter Sunk Socket Screw	6
5a	SK-LLA6SLR	Straight Bell Crank Link (R/H)	1	19	SK-HLS21	High Lift Ramp	3
5b	SK-LLA6SLL	Straight Bell Crank Link (L/H)	1	20	SK-HLM22/9 3B	Link for 0.9m Three Bogie Skate	4
6	SK-LLA7	Box/Bell Crank Rivet	1		SK-HLM22/10 3B	Link for 1.0m Three Bogie Skate	4
7	SK-HLM8	High Lift Bogie Side Plate (R/H)	3		SK-HLM22/12 3B	Link for 1.2m Three Bogie Skate	4
8	SK-HLM8	High Lift Bogie Side Plate (L/H)	3	24	SK-LLA27	Self Cleaning Block	2
9	SK-LLA13/A	Bogie Rivet	12	26	SK-HLA30 90	0.9m Skate Frame	1
11	SK-LLA14	Skate Roller	6		SK-HLA30 100	1.0m Skate Frame	1
12	SK-LLA15	Skate Roller Axle	9		SK-HLA30 120	1.2m Skate Frame	1
13	SK-LLA18	Pivot Roller	3	27	SK-OPMF/B	Multi-Function Operating Handle	1
14	SK-LLA20	Link Spacer	4	28	SK-LLA33	Bell Crank Washer	2
15	SK-HLM17	Bogie Spacer	6				

## Standard High Lift Skate: Axle, Roller and Spring Replacement Procedure



### Replacement Procedure

#### 1. To remove bogie assembly from body shell

- Drill the head off the bell crank rivet (SK-LLA7) with a 10mm drill and knock out using an 8mm punch.
- Remove countersunk socket screws (SK-LLA25) using a 3mm allen key; this will release the ramps (SK-HLS21). The bogie assembly can now be removed from the body shell.

#### 2. To replace rollers (SK-LLRA1)

- Drive out old axles with an 8mm punch. Old rollers can then be removed.
- Remove new axle from new roller. Position roller and drive in the axle with Copper Hammer. DO NOT USE OLD AXLES.

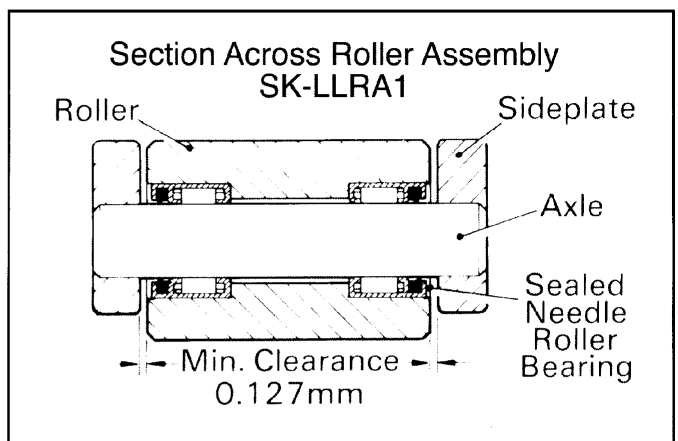
#### 3. To replace rollers (SK-HLRA2)

- As before, remove axles; the bogie retaining springs and clips will now be free. If required these parts can be replaced.
- Replace roller and ensure all parts line up (see diagram for correct fitting). Drive in new axle.

- Replace bogie assembly in body shell. Refit ramps with new countersunk screws (SK-LLA25) distort top with Centre Punch on screw ensuring bogie retaining clip (SK-HLS19) is secured in the slot under the ramp.
  - Replace bell crank rivet (SK-LLA7) and peen over with Ball Spreader until rivet is flush with body shell.

### Tools Required:

- 1 - 1kg Hammer
- 1 - 8mm Punch
- 1 - 10mm Drill
- 1 - 3mm Allen Key
- 1 - Centre Punch
- 1 - Copper Hammer No 1



### Materials Required Per Skate

- 6 - Rollers complete with Bearings and Axles (SK-LLRA1)
- 3 - Pivot Rollers complete with Bearings and Axles (SK-HLRA2)
- 1 - Bellcrank Rivet (SK-LLA7)
- 3 - Bogie Retaining Springs (SK-HLS18)
- 3 - Bogie Retaining Clips (SK-HLS19)
- 6 - Countersunk Socket Screws (SK-LLA25)