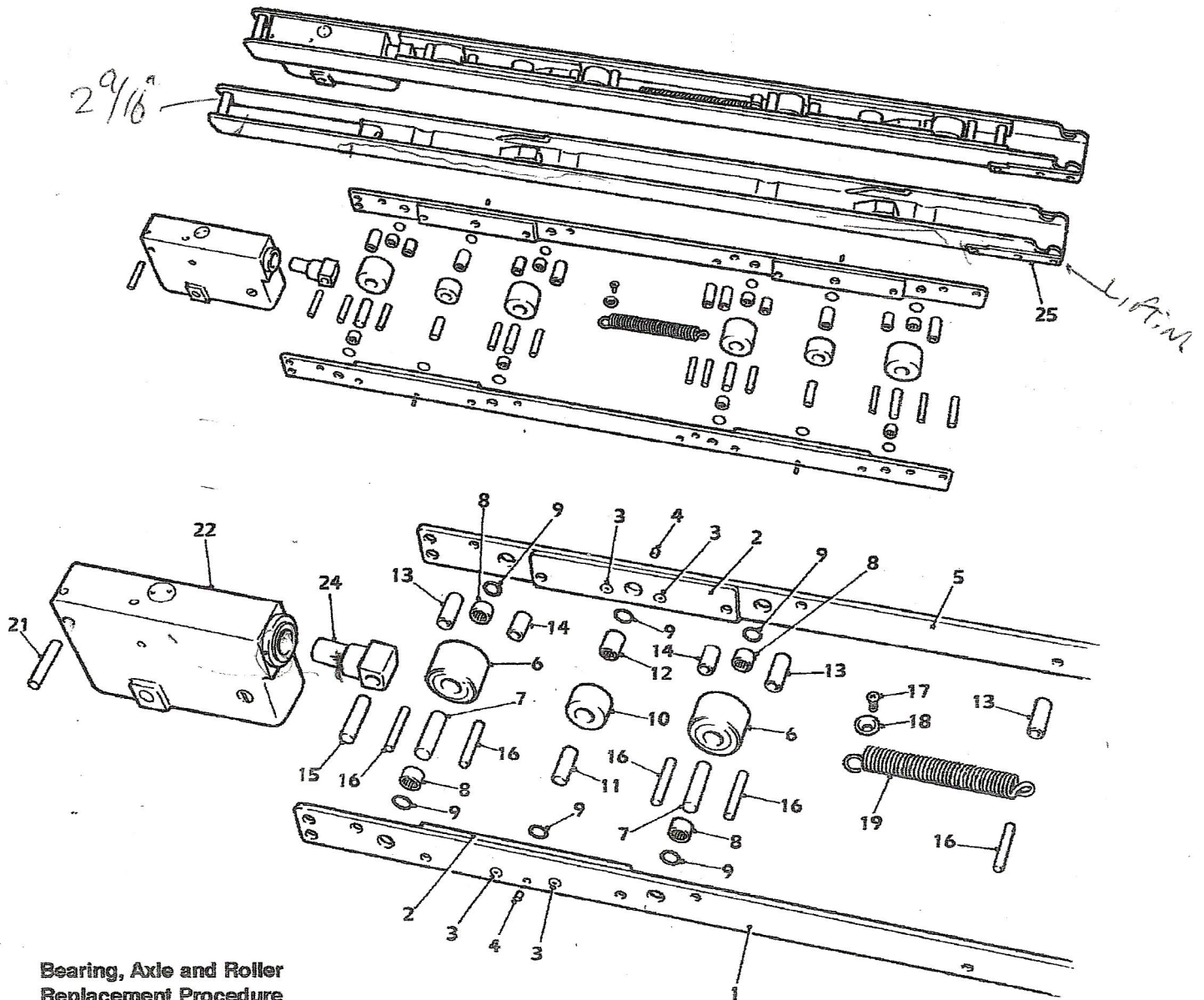


Hydraulic Skate Diagram and Parts List (Master)



Bearing, Axle and Roller
Replacement Procedure
Illustrated Overleaf

ITEM	DESCRIPTION	NO.	PART NO.	ITEM	DESCRIPTION	NO.	PART NO.
1	Left Hand Long Bogie Side Plate 48"	1	SK-HYD-H92-48	13	1.475" x 3/8" I/D Spacer (48")	7	SK-HYD-H64
	Left Hand Long Bogie Side Plate 60"	1	SK-HYD-H92-60		1.475" x 3/8" I/D Spacer (60")	9	SK-HYD-H64
2	Short Bogie Side Plate	4	SK-HYD-H93	14	.975" x 3/8" I/D Spacer	4	SK-HYD-H65
3	.540" Rivets	8	SK-HYD-A10/A	15	2" x 1/2" Rivet	2	SK-HYD-H67
4	Retaining Pins	4	SK-HYD-H94	16	2" x 3/8" Rivet (48")	11	SK-HYD-H68
5	Right Hand Long Bogie Side Plate 48"	1	SK-HYD-H97-48		2" x 3/8" Rivet (60")	11	SK-HYD-H68
	Right Hand Long Bogie Side Plate 60"	1	SK-HYD-H97-60	17	M8 x 16mm C/Sunk Head Screw	1	SK-HYD-H70
6	2" Roller	4	SK-HYD-H56	18	Spring Retaining Washer	1	SK-HYD-H71
7	2" Roller Axle	4	SK-HYD-H58	19	7" Spring	1	SK-HYD-H72
8	B98 Needle Roller Bearing	8	SK-HYD-H59	20	Trunion	1	SK-HYD-H73
9	O Ring	12	SK-HYD-H60	21	2 1/2" x 1/2" Pivot Pin	1	SK-HYD-H74
10	1 1/2" Roller	2	SK-HYD-H61	22	Hydraulic Pump	1	SK-HYD-PUMP
11	1 1/2" Roller Axle	2	SK-HYD-H62	23	Hydraulic Skate Frame (48")	1	SK-HYD-A01-48
12	B912 Needle Roller Bearing	2	SK-HYD-H63		Hydraulic Skate Frame (60")	1	SK-HYD-A01-60

25 - 6" side strengthener / Lift-in Plate
SK-HYD-H85