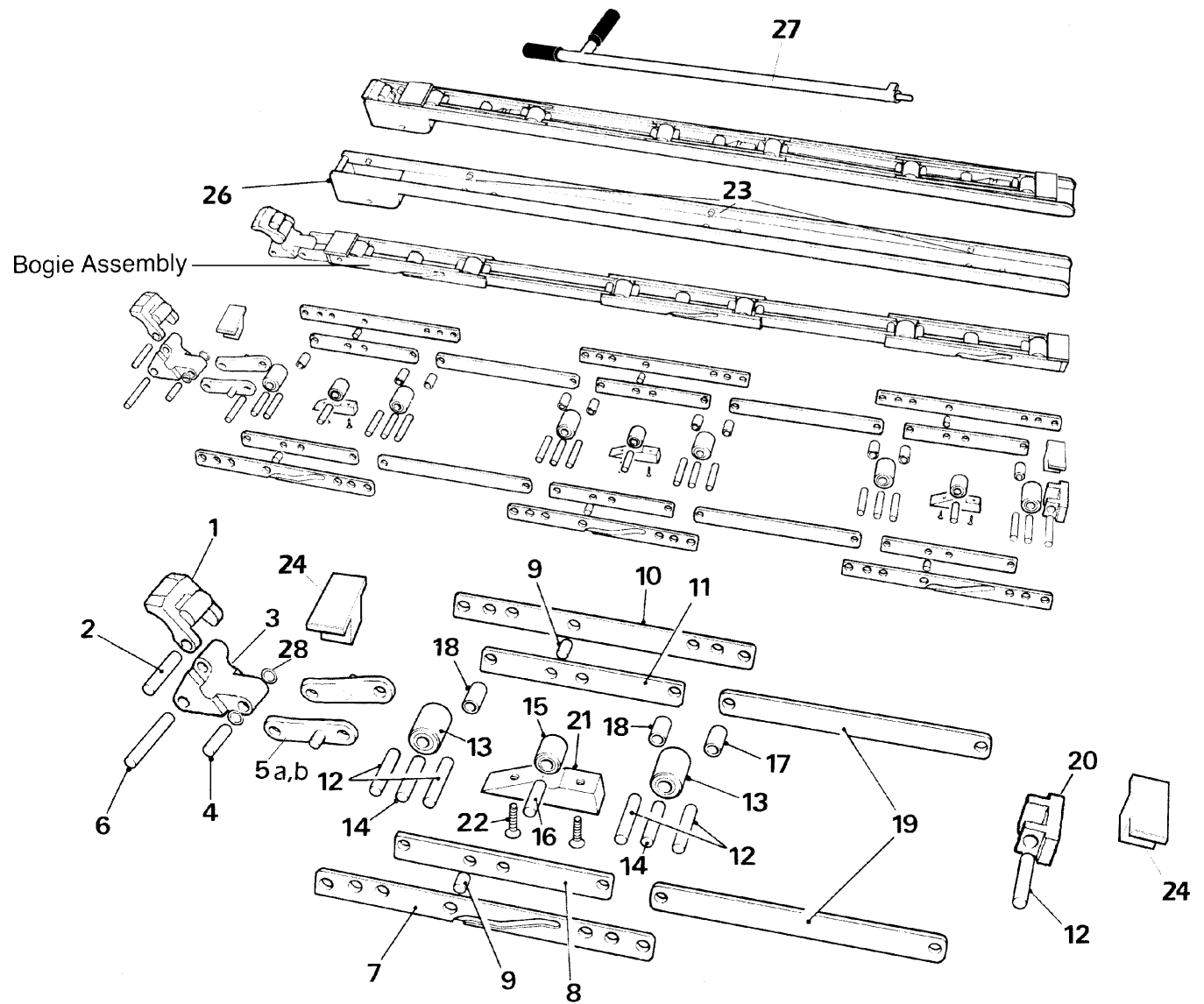


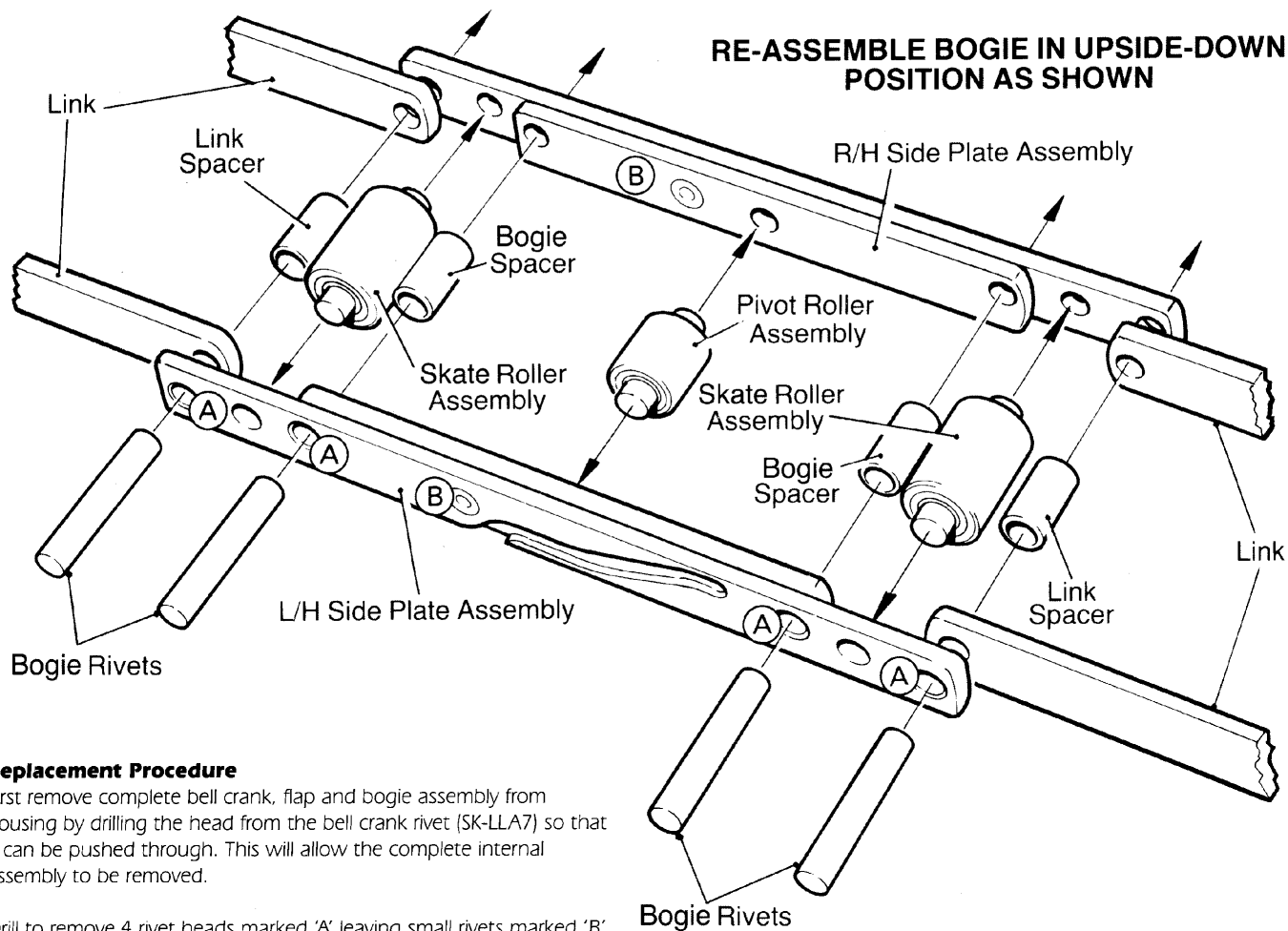
Standard Low Lift Skate: Diagram and Parts List

Model
2500kg SWL
Per Pair



ITEM	PART NO.	DESCRIPTION	QTY	ITEM	PART NO.	DESCRIPTION	QTY
1	SK-LLA1SL	Straight Link Flap	1	17	SK-LLA20	Link Spacer	4
2	SK-LLA2/A	Flap Pin	1	18	SK-LLA21	Bogie Spacer	6
3	SK-LLA3SL	Straight Link Bell Crank	1	19	SK-LLA22 100 3B	Link for 1.0m Three Bogie Skate	4
4	SK-LLA4SL	Straight Link Bell Crank Rivet	1		SK-LLA22 110 3B	Link for 1.1m Three Bogie Skate	4
5a	SK-LLA6SLR	Straight Bell Crank Link (R/H)	1		SK-LLA22 120 3B	Link for 1.2m Three Bogie Skate	4
5b	SK-LLA6SLL	Straight Bell Crank Link (L/H)	1	20	SK-LLA23	End Stop	1
6	SK-LLA7	Box/Bell Crank Rivet	1	21	SK-LLA24	Low Lift Ramp	3
7	SK-LLA8	Bogie Side Plate L/H	3	22	SK-LLA25	Counter Sunk Socket Screw	6
8	SK-LLA9	Bogie Inner Side Plate	3	23	SK-LLA26/A	Frame Pin	6
9	SK-LLA10/A	Bogie Side Plate R/H	3	24	SK-LLA27	Self Cleaning Block	2
10	SK-LLA11	Bogie Inner Side Plate	3	26	SK-LLA30 100	1.0m Skate Frame	1
11	SK-LLA9	Bogie Inner Side Plate	3		SK-LLA30 110	1.1m Skate Frame	1
12	SK-LLA13/A	Bogie Rivet	12		SK-LLA30 120	1.2m Skate Frame	1
13	SK-LLA14	Skate Roller	6	27	SK-OPMF/B	Multi-Function Operating Handle	1
14	SK-LLA15	Skate Roller Axle	6	28	SK-LLA33	Bell Crank Washer	2
15	SK-LLA18	Pivot Roller	3				
16	SK-LLA19	Pivot Roller Axle	3				

Standard Low Lift Skate: Axle & Roller Replacement Procedure



Replacement Procedure

First remove complete bell crank, flap and bogie assembly from housing by drilling the head from the bell crank rivet (SK-LLA7) so that it can be pushed through. This will allow the complete internal assembly to be removed.

Drill to remove 4 rivet heads marked 'A' leaving small rivets marked 'B' in place and punch out old axles progressively with 8mm punch. Rotate long l/h side plate (SK-LLA8/A) to expose SK-LLRA2 axle top end. Rotate in opposite direction long r/h side plate (SK-LLA11/A) to expose SK-LLRA2 axle bottom end. Punch out axle with 8mm punch. Remove side plate assemblies, mark spacers to ensure replacement in original positions.

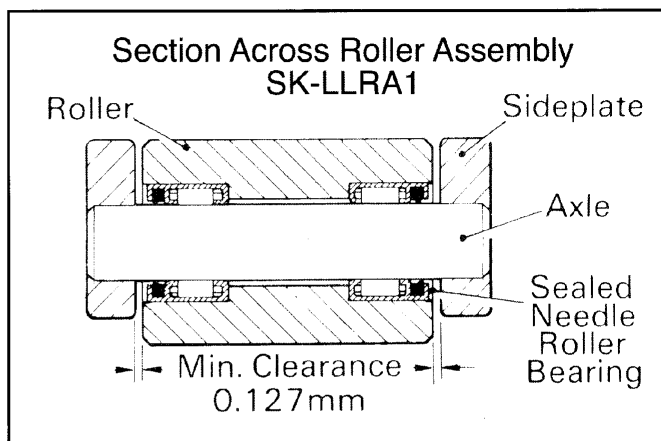
Re-assemble with two new main rollers and one new pivot roller, complete with axles, bearings and four new link rivets, replacing spacers in original positions. DO NOT USE OLD AXLES. Tap in axle with No 1 Size Copper Hammer.

Total minimum roller end clearance = 0.127mm

Bogie finished width dimension = 50.29 + 000mm - 0.127mm

Tools Required:

- 1 - 1kg Hammer
- 1 - 8mm Punch
- 1 - 10mm Drill
- 1 - 25mm Ball Spreader Tool
- 1 - Copper Hammer No 1



Materials Required Per Skate

- 6 - Rollers complete with Bearings and Axles (SK-LLRA1)
- 3 - Pivot Rollers complete with Bearings and Axles (SK-LLRA2)
- 1 - Bellcrank Rivet (SK-LLA7)
- 12 - Rivets (SK-LLA13)